



LEARN

DISCOVER

PLAY

Lil Guppy Playground Pump System

Inspire Learning Through Water Play

- Build vocabulary *"How does the water feel?"*
- Explore science concepts: *"What happens when you push the handle slowly? or quickly?"*
- Encourage social and emotional development by practicing taking turns, carrying buckets of water, etc.
- The stainless steel pump system creates a playscape in which children are free to imagine, explore and discover.



At Cadron Creek Play, it is our mission to get kids off the screens & into the outdoors.



Enliven your park or playground with Cadron Creek Play's Lil Guppy Playground Pump System. It provides an ideal sensory play experience for developing sponge-like minds. The Lil Guppy Playground Pump simulates the action of a traditional water hand pump. However, no well is needed as it is connected to a pressurized water line (like city water) which automatically refills the external tank as the children hand-pump the water out of the tank. Kids will have puddles of fun with the Lil Guppy Playground Pump System!

Cadron Creek Play Playground Pumps are the highest quality playground pumps on the market. Made of Stainless Steel, the pump is hand-polished and manufactured 100% in the USA. With sturdy welds and a five-year warranty, it has minimal maintenance requirements.

The water play system is designed for kids of all ages. The hand pump can be mounted to a flat surface like a table or Cadron Creek Play's Stainless Steel Pump Stand that comes

with a mounting plate, allowing for a versatile design. The stainless-steel hand pump connects to a durable plastic tank that is connected to a pressurized water line. As the water is pumped out of the tank, it automatically refills, simulating the feel of a pumping water from a well. It features a 12-inch long spout, allowing the water to fall in a designated area. This pump is easy to install and maintain. It has an elegant design but is built for heavy use by little hands. It can also be customized to meet the needs of your project. For example, add a Spout & Shout to the nozzle, which causes the water to spray out of the spout as you pump!

The Lil Guppy Playground Pump System presents children with the opportunity to play AND learn. Water play is a key element to sensory play and stimulates young minds in a variety of STEM areas. By pumping the water and playing in it together, they are exploring science concepts like sink-or-float, building their vocabulary, and learning how to work as a team... so many valuable lessons you won't get from a screen!

Lil Guppy Playground Pump System



HOW IT WORKS

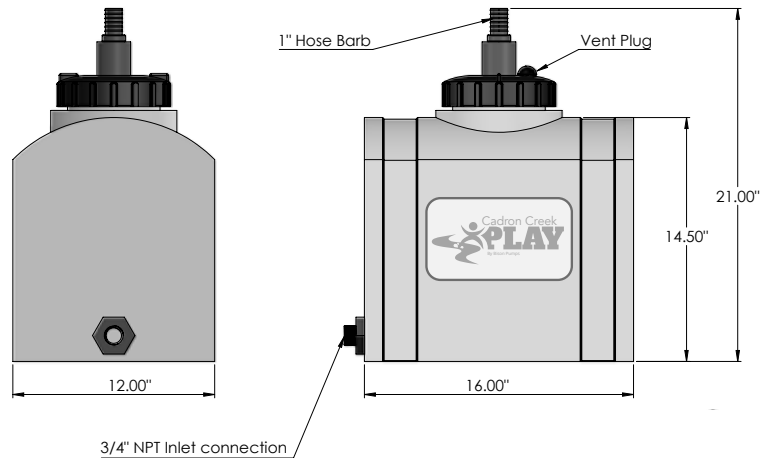
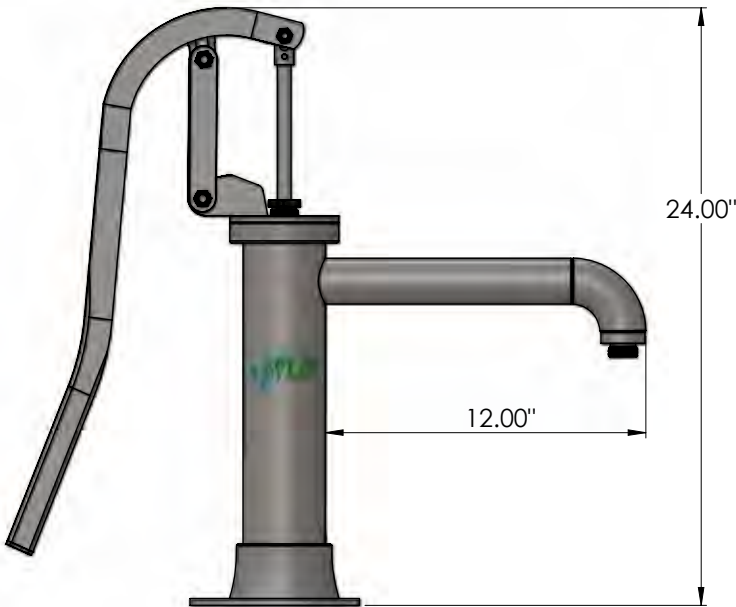
Water from the pressurized water line fills the plastic tank and automatically shuts off at the fill line. The tank is connected to the pump by a reinforced flexible hose. The children then hand-pump the water out of the tank. The water refills as it's pumped out. The tank can be buried, placed below a deck/table, or even camouflaged to match the playscape's theme. Just be sure to install it in a place where it is out of the sun and can be easily reached for ventilation and maintenance.

PUMP

- 24 inches tall from base to top of the handle
- Made of stainless steel: body, handle, rod, hardware
- Standard 24 inch long handle
- Designed for heavy-duty kid traffic
- 5-year warranty on all manufactured parts

PLASTIC TANK

- Custom 8 gallon plastic tank, 16x12x15 inches
- 3/4" NPT connection for pressurized water line
- Internal float valve to control water levels
- 1 inch diameter reinforced hose with connections



CONTENTS

- (1) Stainless Steel Playground Pump
- (1) 8 Gallon Plastic Tank with All Required Fittings
- (1) 10 feet -1 inch in Diameter Reinforced Hose
- (2) Hose Connections