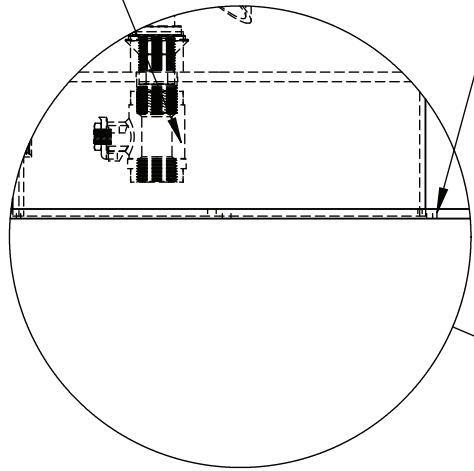


On/off Valve
with 3/4" NPT
Female Connection
for city water line



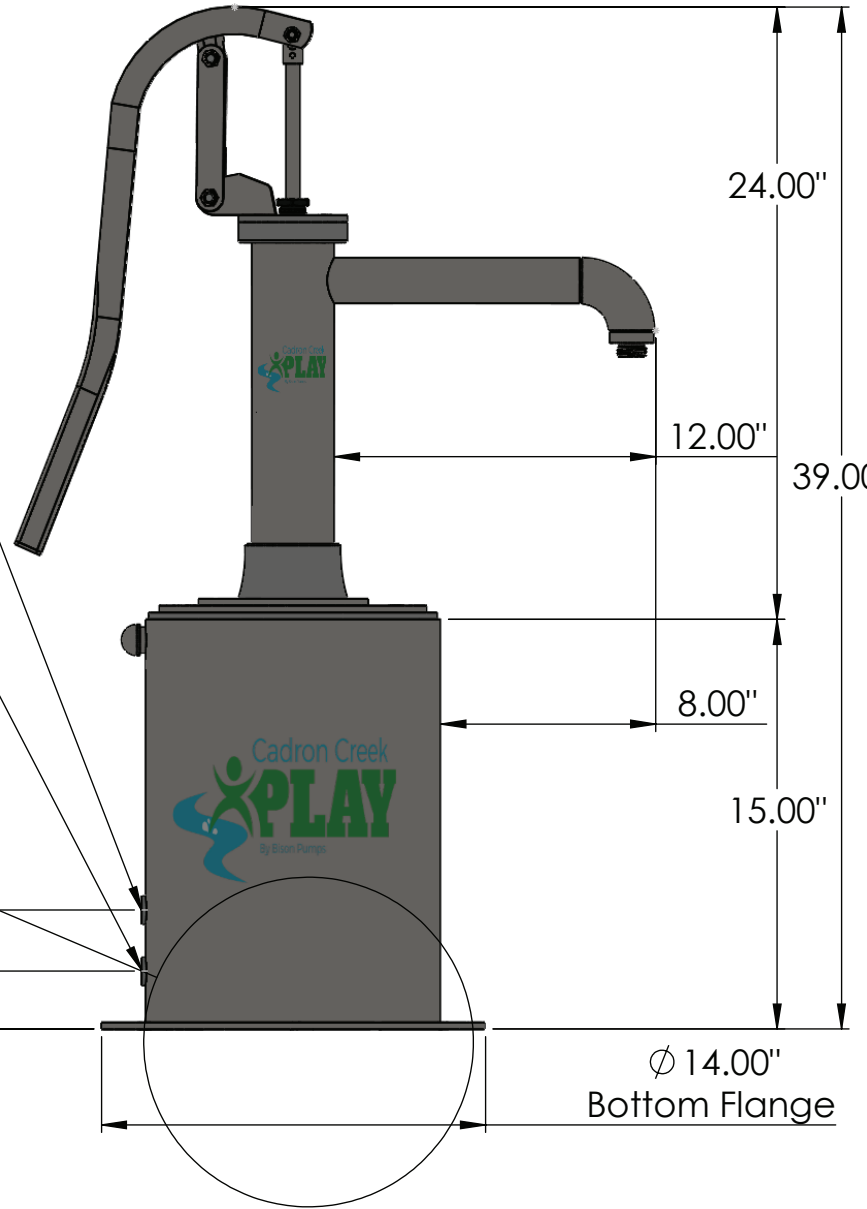
3/8" Hole
at 6 places
for Lag Bolts

Water Drain
Port

Access Port
for on/off valve

4.50"

2.00"



24.00"

39.00"

12.00"

8.00"

15.00"

Ø 14.00"
Bottom Flange