



LEARN

DISCOVER

PLAY



# Big Guppy Playground Pump

## Inspire Learning Through Water Play

- Build vocabulary *"How does the water feel?"*
- Explore science concepts: *"What happens when you push the handle slowly? or quickly?"*
- Encourage social and emotional development by practicing taking turns, carrying buckets of water, etc.
- The stainless steel pump system creates a playscape in which children are free to imagine, explore and discover.



At Cadron Creek Play,  
it is our mission to get  
kids off the screens &  
into the outdoors.



Enliven your park or playground with Cadron Creek Play's Big Guppy Playground Pump. It provides an ideal sensory play experience for developing sponge-like minds. The Big Guppy Playground Pump simulates the action of a traditional water hand pump. However, no well is needed because it can connect to multiple types of water sources. Kids will have puddles of fun with the Big Guppy Playground Pump!

The water play pump is designed for kids of all ages. The hand pump can be mounted to a flat surface like a table or Cadron Creek Play's Stainless Steel Pump Stand that comes with a mounting plate, allowing for a versatile design. It features a 12 inch long spout, allowing the water to fall in a

designated area. This pump is easy to install and maintain. It has an elegant design but is built for heavy use by little hands. It can also be customized to meet the needs of your project. For example, add a Spout & Shout to the nozzle, which causes the water to spray out of the spout as you pump!

The Big Guppy Playground Pump presents children with the opportunity to play AND learn. Water play is a key element to sensory play and stimulates young minds in a variety of STEM areas. By pumping the water and playing in it together, they are exploring science concepts like sink-or-float, building their vocabulary, and learning how to work as a team... so many valuable lessons you won't get from a screen!

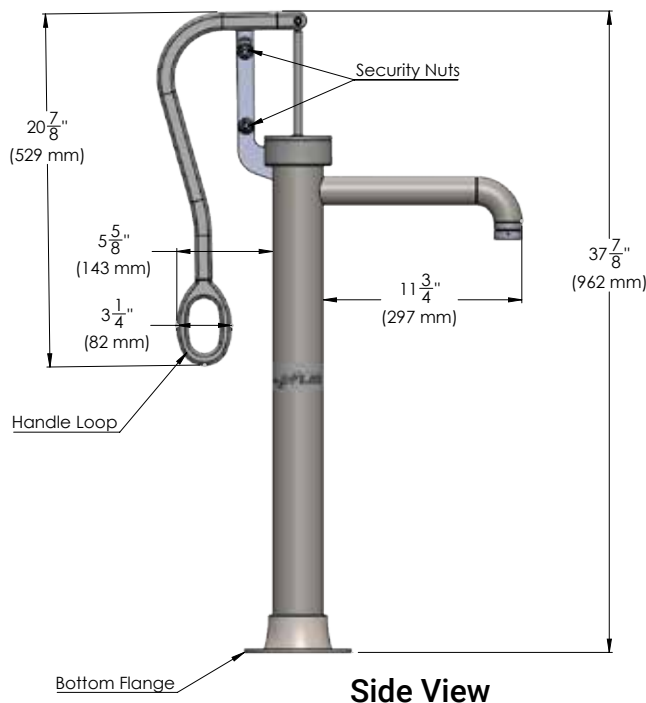
CADRON CREEK PLAY

# Big Guppy Playground Pump



Cadron Creek Play Playground Pumps are the highest quality playground pumps on the market. Made of Stainless Steel, the pump is hand-polished and manufactured 100% in the USA. With sturdy welds and a three-year warranty, it has minimal maintenance requirements.

At Cadron Creek Play, it is our mission to get kids off the screens and into the outdoors. Children are naturally drawn to water. Whether they are playing in a bathroom sink or suddenly sprint to the nearest water fountain, kids seek out water! The Playground Pump encourages that curiosity as it enhances other skills like cooperation, understanding buoyancy, and feeling the weight of water and the amount of force required to lift it. The Big Guppy Playground Pump gives children a hands-on learning opportunity that instills a love for exploring with your senses. Feeling the water, getting wet, muddy... this is what childhood is about. THIS is how we learn about the world around us. We hope you'll join us as we encourage kids to get outside and experience the great outdoors.

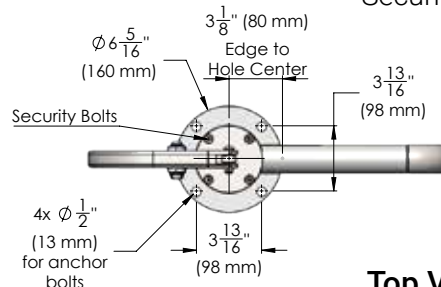


## PUMP

- $37\frac{7}{8}$  inches tall from base to top of the handle
- Made of stainless steel: body, handle, rod, hardware
- Standard  $20\frac{7}{8}$  inch long handle
- $11\frac{3}{4}$  inch long spout
- Designed for heavy-duty kid traffic
- 3-year warranty on all manufactured parts

## SECURITY FEATURES

- Security nuts for pump handle links
- Security bolts for pump top plate
- Security bit and socket



**Cadron Creek Play**

192 Commerce Road  
Conway, AR 72032 | USA



**(888) 403-7867** (Toll Free)

info@CadronCreekPlay.com  
www.CadronCreekPlay.com