



LEARN

DISCOVER

PLAY



Waterfall Table & Basin Playground Pump System

Inspire Learning Through Water Play

- Explore science concepts: “What happens when you add obstacles like rocks or sand? Does it make the water flow faster or slower?”
- Encourage social and emotional development by practicing taking turns, designing little boats out of leaves or paper, etc.
- The Waterfall Table & Basin Playground Pump System creates a playscape in which children are free to imagine, explore and discover.

**At Cadron Creek Play,
it is our mission to
get kids off the screens
& into the outdoors.**



Enliven your park or playground with Cadron Creek Play's Waterfall Table & Basin Playground Pump System! It provides an ideal sensory play experience for developing sponge-like minds. The Waterfall Table features Cadron Creek's Stainless Steel Hand Pump at the top, which simulates the action of a traditional water hand pump. However, no well is needed. The pump can connect to a pressurized water line (like city water) or can be set up for recirculation. The water connection will automatically refill the tank as the children hand-pump the water out of the tank. The tank is built-in to the table, making for easy installation and maintenance. The children pump the water and it falls in a cascade from the higher levels to the

lower level, finally ending in a basin. The table allows the kids to dam up the water, decorate with rocks, experiment with little boats navigating the current over the Waterfalls... the possibilities are endless! Kids will have puddles of fun with the Waterfall Table and Playground Pump System!

Cadron Creek Playground Pumps, Tables & Basins are the highest quality water play features on the market. Cadron Creek Play products are built for indoor and outdoor use and can sustain harsh climates. With high-quality materials and a five-year warranty, the Waterfall Table & Basin Playground Pump System has minimal maintenance requirements.

Waterfall Table & Basin Playground Pump System



HOW IT WORKS

Water from the pressurized water line fills the stainless steel tank and automatically shuts off at the fill line. (A shut-off valve will need to be installed in the incoming water line.) For recirculation, fill the basin with water which will flow into the tank. The tank is connected to the pump by a durable flex hose. The children then hand-pump the water out of the tank. The water refills as it's pumped out. The tank is stored within the table where it can be easily reached for ventilation and maintenance.

PUMP DETAILS & DIMENSIONS

- 22 ³/₈ inches tall from base to top of the handle
- Stainless steel tank
- Connects to pressurized water line
- Stainless steel hand pump
- Designed for heavy-duty kid traffic
- 5-year warranty on all manufactured parts

TABLE DETAILS & DIMENSIONS

- 50 ¹/₈ inches tall from ground to top of the pump handle
- Materials: Plastic Wood, Stainless Steel
- Some assembly required. Instructions included.
- Installation requirements: Concrete pads for each leg (10 total), 6x6 inch squares. 3/4" incoming water line connection, if using pressurized water source. See Manual for Details.
- 5-year warranty on all manufactured parts

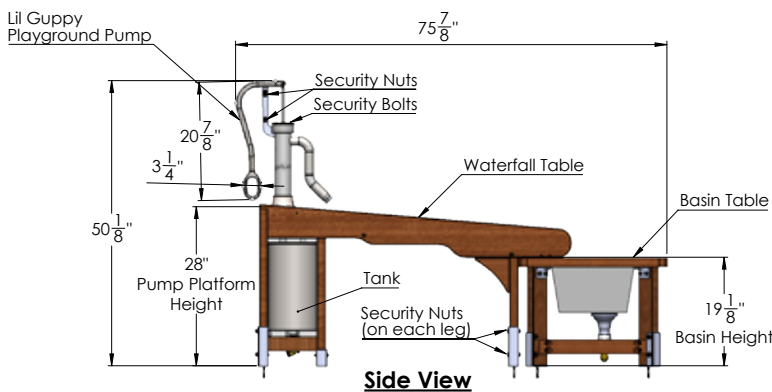
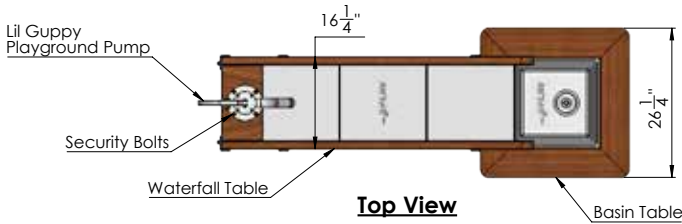
MAINTENANCE

Pump: Periodic maintenance is required every 2-3 months. Cadron Creek Play suggests cleaning of the piston assembly with fresh clean water. Be sure to inspect the wear items like cup seals and O-rings. These can be replaced as needed using the Lil Guppy Maintenance Kit.

Table: Wipe down with damp cloth as needed. Periodic cleaning will depend on the environment in which it is installed. Inspect for loose hardware and tighten as needed.

SECURITY FEATURES

- Security nuts for pump handle links
- Security bolts for pump top plate
- Security bolts for pump flange
- Security nuts for waterfall table and basin table anchors
- Security bit and socket



Cadron Creek Play

192 Commerce Road
Conway, AR 72032 | USA



(888) 403-7867 (Toll Free)

info@CadronCreekPlay.com
www.CadronCreekPlay.com